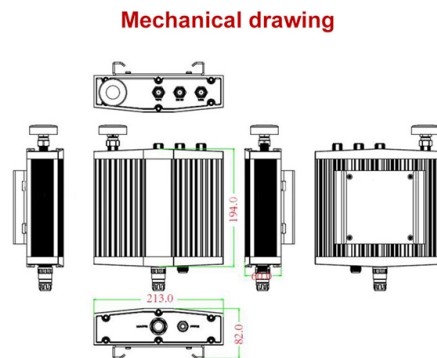


What does a fiber optic distribution box look like in CAD



Overview

This AutoCAD DWG file shows a detailed layout for a fiber distribution terminal. It covers cable management, component positioning, and network planning, providing a clear guide for engineers and designers to implement organized and efficient fiber optic systems. For network planners and telecommunication engineers, the 24-Core Fiber Optic Distribution Box (FDB) is a foundational component in Fibre-to-the-X (FTTx) network deployment. Welcome to the Corning LANscape® Solutions Product Drawings Resource Center, your complete source for our optical hardware component drawings. The two-dimensional and isometric hardware products drawings are available in PDF (Adobe® Acrobat®), DXF (AutoCAD®), VSS (Visio® Stencil) formats, and. Free CAD and BIM blocks library - content for AutoCAD, AutoCAD LT, Revit, Inventor, Fusion 360 and other 2D and 3D CAD applications by Autodesk. You can exchange useful blocks and symbols with other CAD and BIM users. See. Be among the first to receive important product updates, insights and news. Representing <5% of a typical IT project investment, high density, performance, and quality are pivotal attributes for an ODF ensuring business continuity 24/7/365.

Article Content

May Distribution GmbH & Co. KG.

Pad-mounted FTTH welded aluminum enclosures provide longlasting protection and manage fiber optic cable for broadband delivery in outdoor applications. Provided with or without back-up batter

CAD Forum

CAD blocks and files can be downloaded in the formats DWG, RFA, IPT, F3D. You can exchange useful blocks and symbols with other CAD and BIM users. See popular blocks and top brands.

Audio Science Review (ASR) Forum

Audio, Audio, Audio! For a list of reviewed audio equipment, click here. To send in equipment to be tested, click here.

An In-Depth Exploration of Fiber Optic Distribution

They offer organized solutions for managing fiber optic cables, facilitating efficient connectivity and distribution. By understanding the types, components,

Optical Fiber Communications Distribution Cabling | CADdetails

Utility CAD blocks from trusted manufacturers for free download. We have over 25 years of experience providing detailed, reliable drawings in 2D and 3D formats.

The Functionality of a Fiber Distribution Box

Environmental Protection: Fiber distribution boxes are typically designed to withstand various environmental conditions, ensuring that the optical connections remain reliable and free from

24T Fiber Optic Patch Panel

This exclusive resource, alternatively recognized as a fiber distribution panel or optical distribution frame (ODF) schematics, provides a comprehensive

Critical 24-Core Fiber Optic Distribution Box Drawing

For network planners and telecommunication engineers, the 24-Core Fiber Optic Distribution Box (FDB) is a foundational component in Fibre-to

Product Drawings Resource Center | Optical Communications | Corning

Choose from two-dimensional and isometric product drawings in PDF, DXF, VSS formats, and Building Information Modeling (BIM) Objects.

The FOA Reference For Fiber Optics

Outside Plant Fiber Optic Cable Jump To: Fiber Optic Cable Construction Fiber Optic Cable Types Cable Design Criteria Choosing Cables Cable Types: (L>R):

FlexCore™ Optical Distribution Frame

Download free BIM objects of Panduit for SketchUp, Autodesk, Revit, Vectorworks or ArchiCAD.

Ultimate Guide to Fiber Optic Distribution Box: Types

Fiber optic technology has revolutionized the telecommunications industry, enabling faster and more reliable data transmission. One essential

How A Fiber Optic Distribution Hub Works

Fiber Optic Mastery: Expert Guide To Locating Bad Splices, Re-Splicing and OTDR Verification Review: KAMRUI Mini PC - Ryzen 7 7735HS Power in a Tiny Gaming Desktop!

Fiber-optic cable

A fiber-optic cable, also known as an optical-fiber cable, is an assembly similar to an electrical cable but containing one or more optical fibers that are used to

Fiber Distribution Box Basics

With its advanced features like cable management, splice protection, and environmental sealing, it ensures reliable and efficient network operations.

Fiber Terminal Layout DWG File for Network Planning

This AutoCAD DWG file shows a detailed layout for a fiber distribution terminal. It covers cable management, component positioning, and network planning,

cs-178-project/imdb.vocab at main · apmalani/cs-178-project

Contribute to apmalani/cs-178-project development by creating an account on GitHub.

Understanding Fiber Optic Junction Boxes: A Comprehensive ...

8. Conclusion In conclusion, fiber optic junction boxes are indispensable components in modern communication networks.

Fiber optic distribution rack measurements. (1.24 MB)

Download CAD block in DWG. Development of various rack designs with measurements for fiber optic distribution. includes: plans, sections and views.

Optical networks

An optical transport network is a high-speed communication system that sends light signals over fiber-optic cables to move large amounts of data across long

Critical 24-Core Fiber Optic Distribution Box Drawing

Download your professional 24-Core FDB drawing today, exclusively from MechStream, and ensure your next fiber network build is

ITPro Today, Network Computing, IoT World Today combine with

ITPro Today, Network Computing and IoT World Today have combined with TechTarget . The page you are looking for may no longer exist.

Technical Drawings

Technical Drawings Technical Resources BIM, CAD, Visio and PDF Files for Copper & Fiber Optic Cabling, Racks & Cabinets

Fiber Distribution Boxes: Understanding the Basics for

Conclusion Fiber distribution boxes are a vital component of any fiber optic network, as they enable the efficient and reliable transmission of light

Online Bulk Cable Company | CableWholesale

As a premier online bulk cable company, CableWholesale carries a large inventory of computer cables, USB, HDMI, fiber optic, VGA cables, and more. Shop now!

Symbols for Fiber Optic Network diagramming

I'm wanting to create documentation for a control fiber optic network. I'm needing symbols for common fiber optic components, cables, connectors,

Contact Us

For more information, pricing, or custom solutions, please contact us:

Website: <https://boxesgaramella-andria.it>

Email: sales@boxesgaramella-andria.it

Phone: +39 331 584 7291

Address: Via delle Industrie, 15, 20154 Milano, Italy

This document is for informational purposes only. Specifications subject to change without notice.

